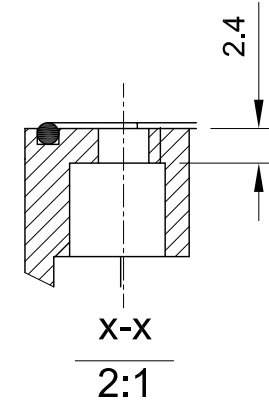
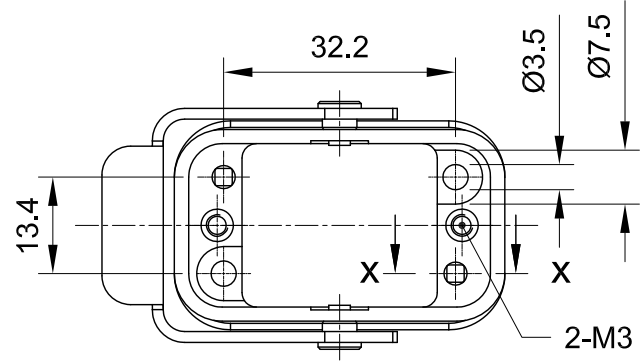



panel cut out



 InKonn (Suzhou) Electric Technology Co., Ltd.	All Dimensions in mm Original Size DIN A4	Date 29-Oct-2021	Drawing No. TC1436731	Rev. A00	Scale 1:1
	Part No. 10 20 008 0510	Created by Shuxu Huang	Checked by Yiyi Luo	Page 1/1	
Type Name HCOM-BM-SL/S					